

1 2 3 4 5 6

A

A

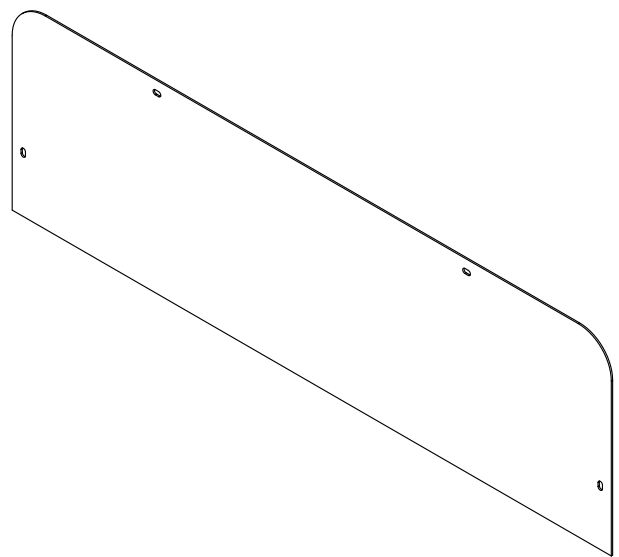
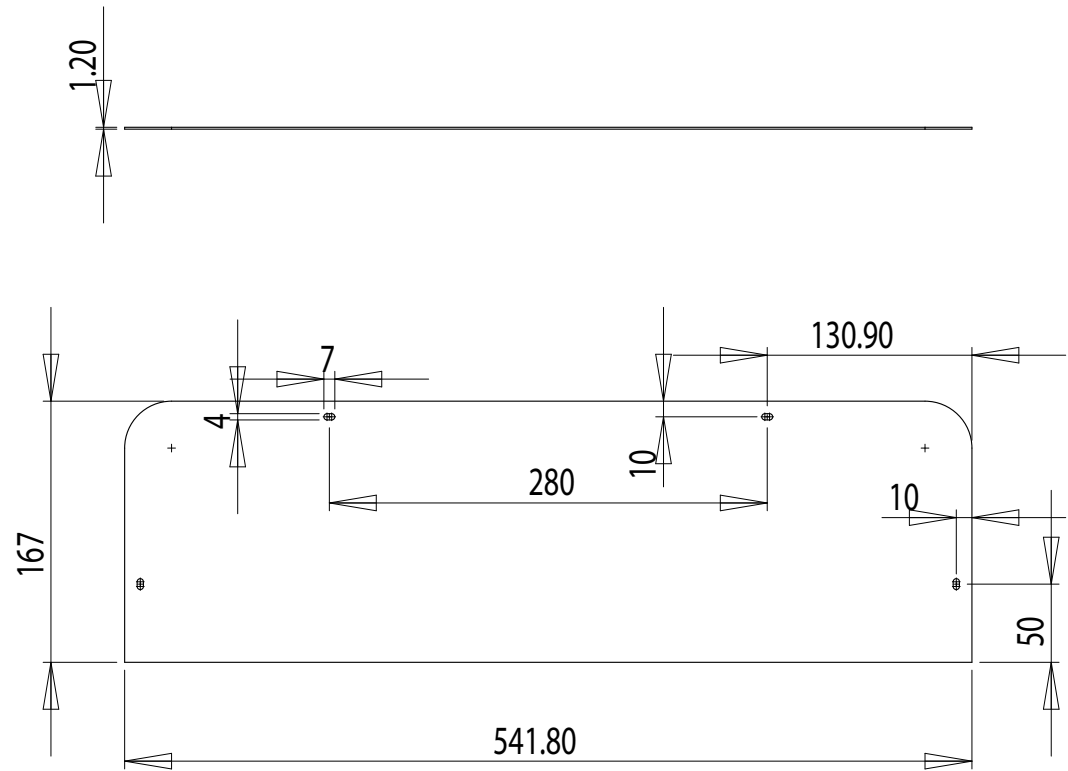
B

B

C

C

D



UNLESS OTHERWISE SPECIFIED: DIMENSIONS ARE IN MILLIMETERS SURFACE FINISH: TOLERANCES: LINEAR: ANGULAR:				FINISH:		DEBUR AND BREAK SHARP EDGES	
DRAWN	NAME PAUL CROW	SIGNATURE	DATE 12/11/2007				
CHK'D							
APP'VD							
MFG							
QA				MATERIAL: 1.2mm GALV			
				WEIGHT:			

DO NOT SCALE DRAWING		REVISION	
<div style="border: 1px solid black; width: 100%; height: 20px;"></div>			
TITLE: <b>A1 HEADER PANEL</b>			
DWG NO.		<b>A1P COMPLETE</b>	
		A4	
SCALE:1:10		SHEET 4 OF 5	

1 2