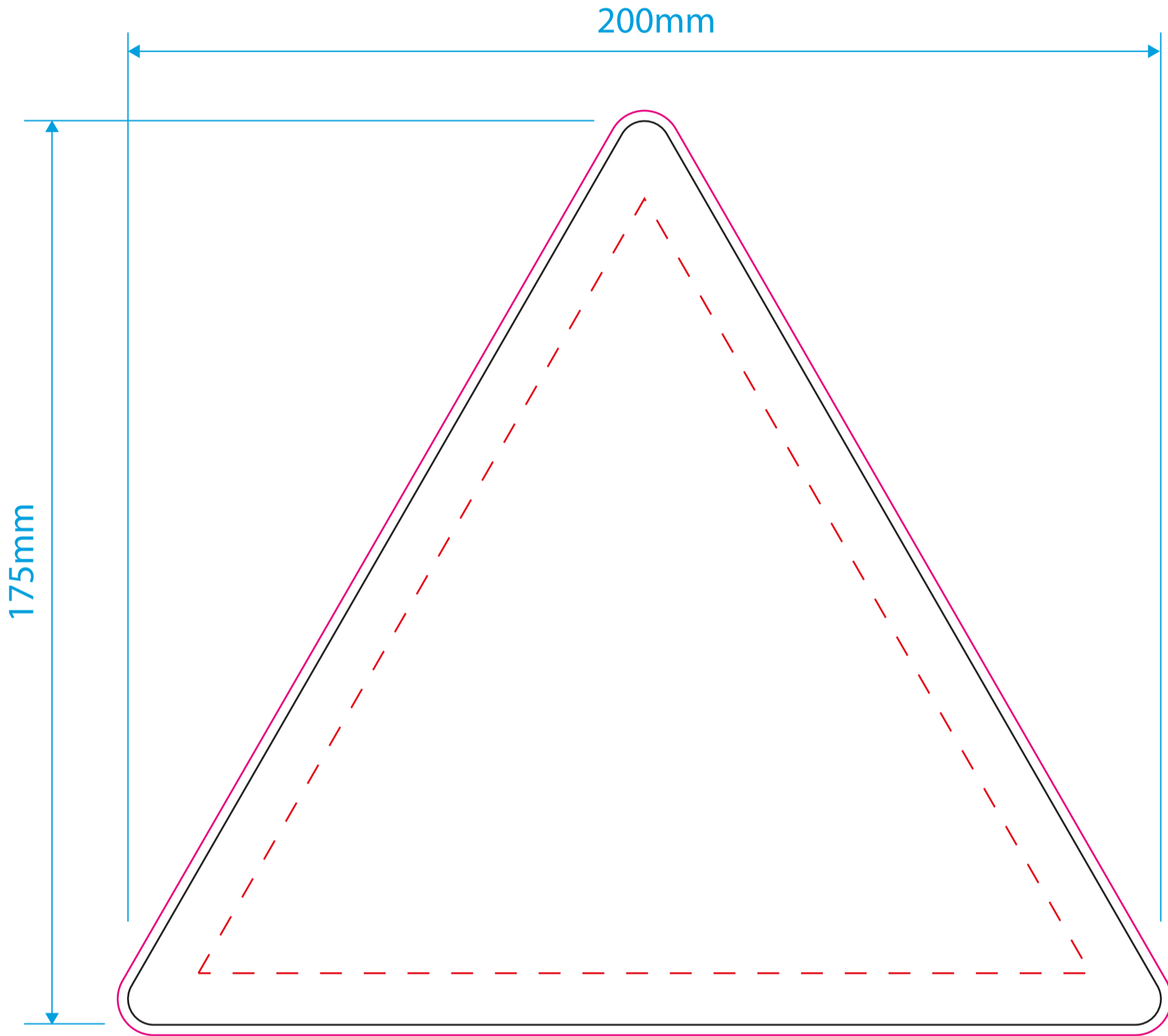


Signtac Triangle

200mm x 175mm

Artwork Template

Artwork guidelines - PLEASE READ
• Must be supplied in CMYK .
• Embed all images.
• All fonts must be converted to outlines .
• Resolution must be 300dpi .
• Supply artwork as high resolution PDF or Illustrator file .
• Specify Pantone colours for screen print .
• Convert all spot colours to process CMYK for digital print . (Pantone matching cannot be guaranteed)
• Set artwork at 100% scale.



Template guidelines - PLEASE READ

- The **Black** keyline = Finished cut size of the product.
- The **Pink** keyline = Your background must be extended to this line.
- The **Red** dashed keyline = Keep all text within this area.