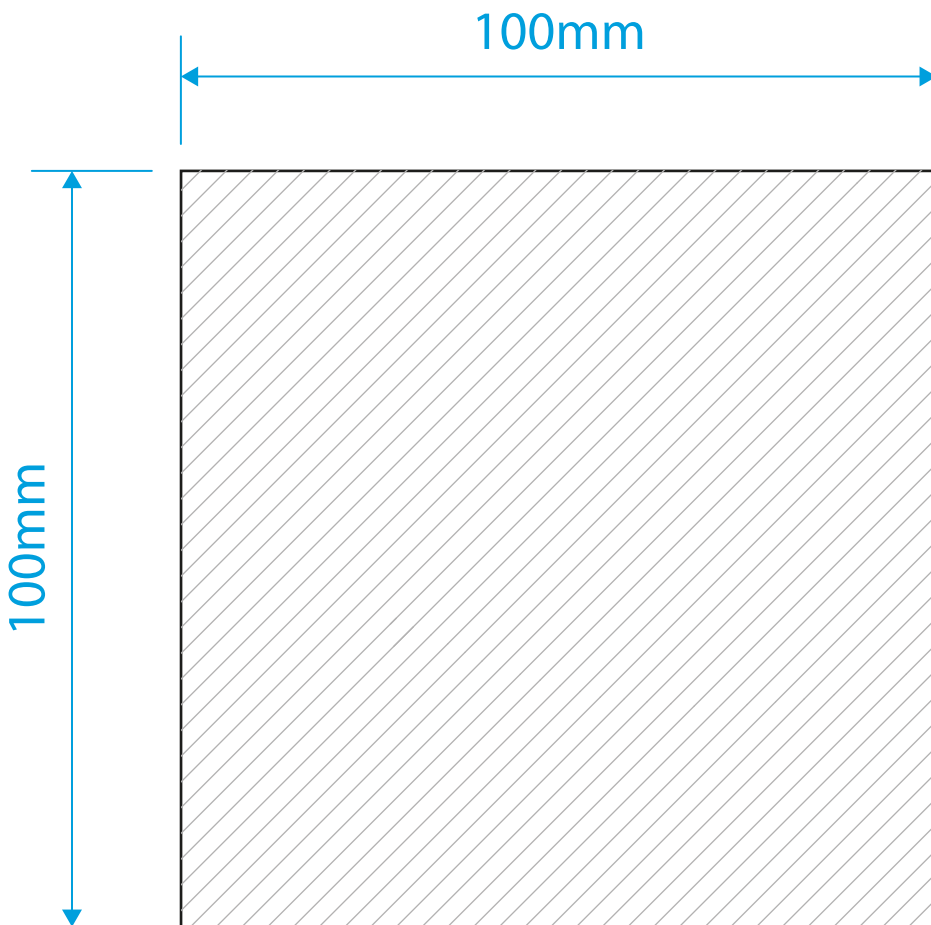



Signtac Shaped 100mm x 100mm Artwork Template

Artwork guidelines - PLEASE READ
• Must be supplied in CMYK .
• Embed all images.
• All fonts must be converted to outlines .
• Resolution must be 300dpi .
• Supply artwork as high resolution PDF or Illustrator file .
• Specify Pantone colours for screen print .
• Convert all spot colours to process CMYK for digital print . (Pantone matching cannot be guaranteed)
• Set artwork at 100% scale.



Template guidelines - PLEASE READ
 The Grey hatch area = Your maximum artwork area.