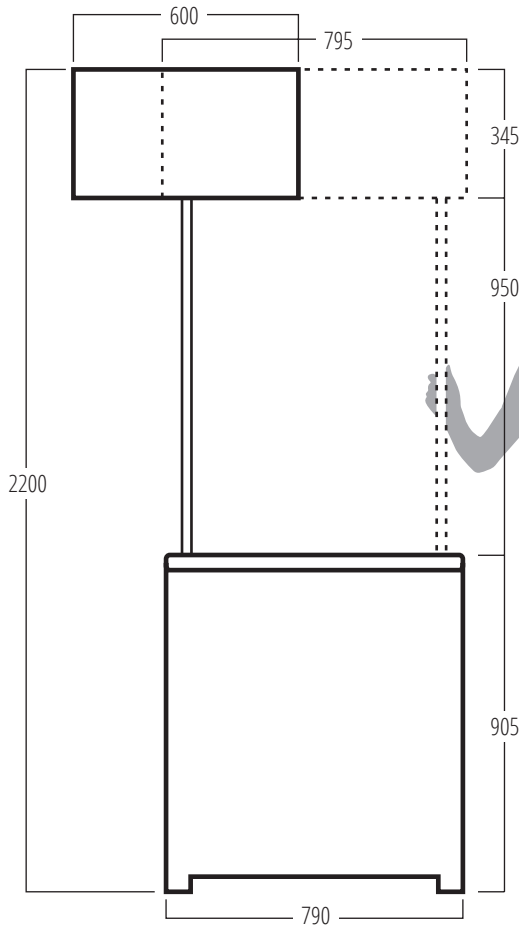


Weights in Kg

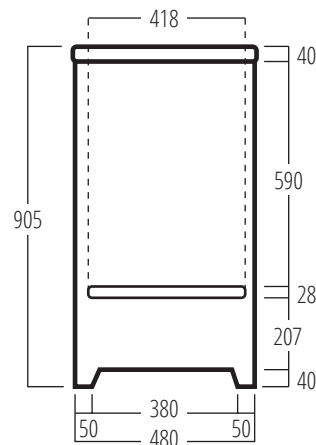
Rigid Top	1.52
Top	1.14
Shelf	1.12
Base Shelf	1.14
Body Panel	4.28
Pole Set for Budget (two pieces) L	1.00
Header (Budget)	0.35
Pole Set for Merit (four pieces) L	2.00
Header (Merit)	0.73
Bag	1.04

Packaging in Kg

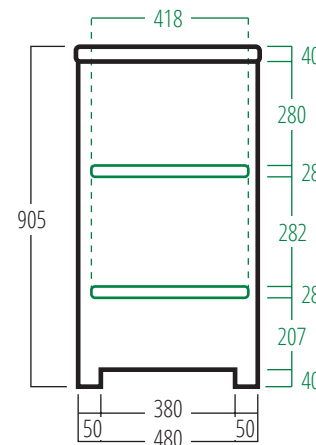
Individual reusable carton (Budget)	1.88
External size: 925(w) x 845(d) x 82mm(h)	
Individual reusable carton (Merit)	1.94
External size: 925(w) x 845(d) x 117mm(h)	



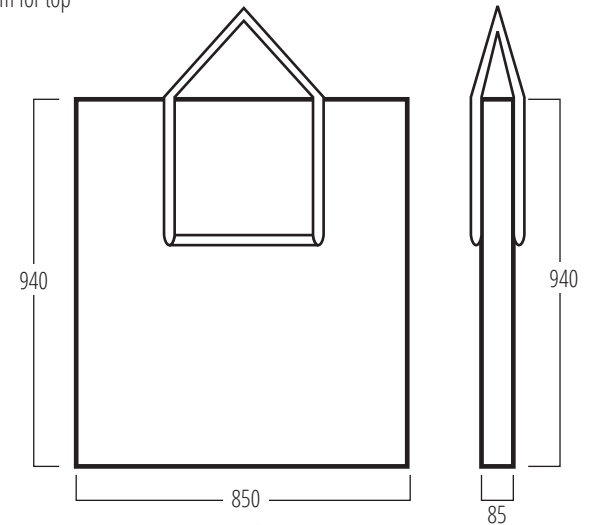
Unit and Header



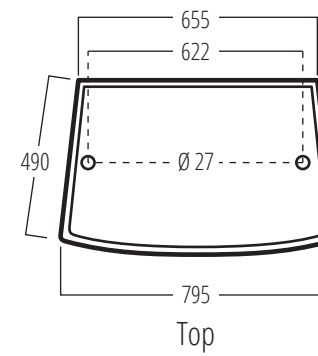
Side - Budget One Shelf



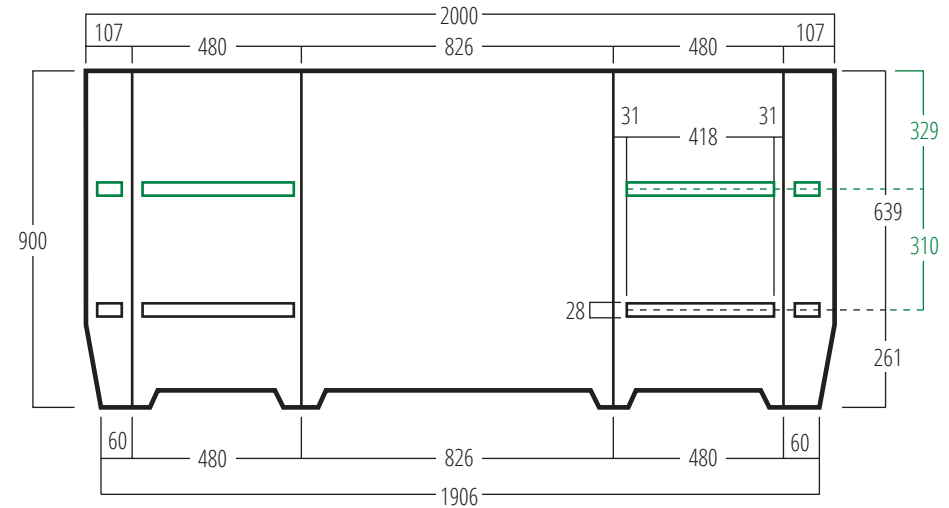
Side - Merit Two Shelves



Carry Bag



Top



Graphic Size for One Shelf (Budget) and Two Shelf (Merit) Units

Allow 35mm for top