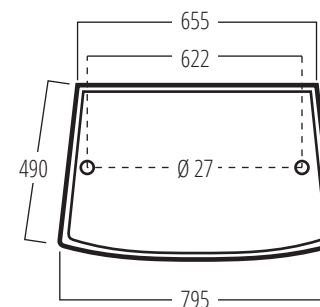


Weights in Kg

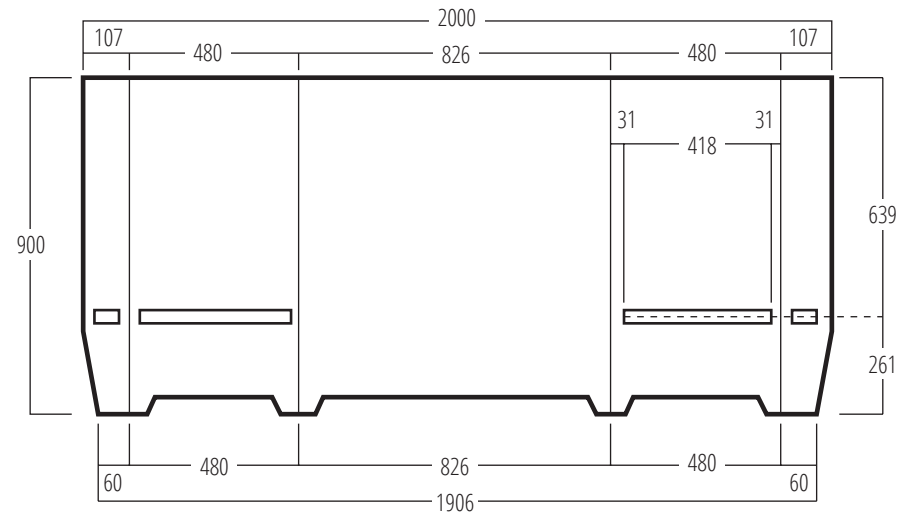
Rigid Top	1.52
Base Shelf	1.14
Body Panel	4.28
Pole Set (four pieces) L	2.00
Header	0.73
Bag	1.04

Packaging in Kg

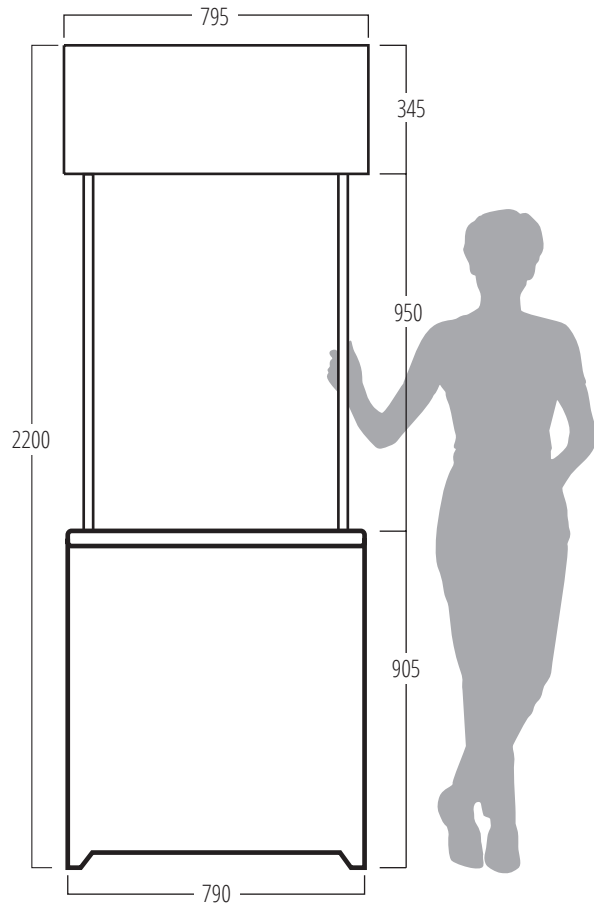
Individual reusable carton	1.88
External size: 925(w) x 845(d) x 82mm(h)	



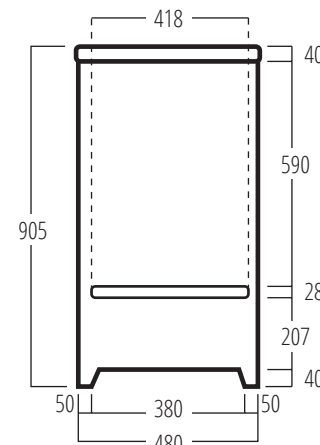
Top



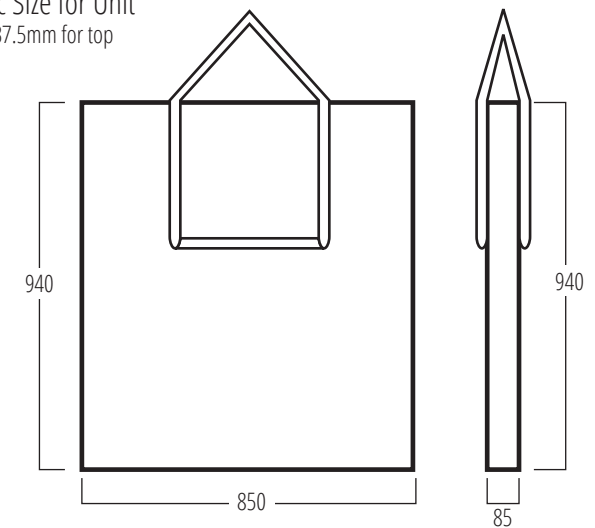
Graphic Size for Unit
Allow 37.5mm for top



Unit and Header



Side



Carry Bag