

MEDIA TOWERS

SUPERIOR IMAGE



COMMUNICATOR 2X4

FEATURES

- 6 x A4 portrait style shelves
- Sleek anodised aluminium frames with robust, transparent acrylic shelving
- Literature can be displayed on both sides of the stand
- Ideal for display of large amounts of literature in any retail environment or corporate reception area



Anodised aluminium frame



COMMUNICATOR 2X4

FEATURES

- 8 x A4 portrait style / 4 x A4 landscape brochure shelf capacity
- Sleek anodised aluminium frames with robust, transparent acrylic shelving



Anodised aluminium frame

plex
DISPLAY
literature stands

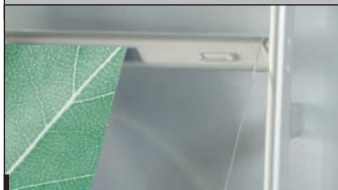
CHIC STYLING | ALUMINIUM

COMMUNICATOR 2X4 WALL



FEATURES

- 8 x A4 portrait style / 4 x A4 landscape brochure shelf capacity
- Sleek anodised aluminium frames with robust, transparent acrylic shelving
- Suitable for wall mounting



Wall mountable



COMMUNICATOR 4X4

FEATURES

- 16 x A4 portrait style / 8 x A4 landscape brochure shelf capacity
- Sleek anodised aluminium frames with robust, transparent acrylic shelving



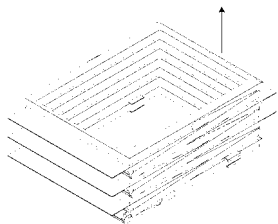
Robust, transparent acrylic shelving



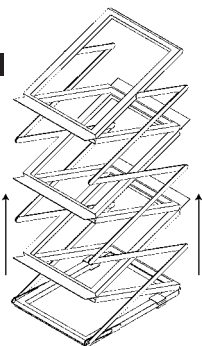


MEDIA 6 COMPACT, MEDIA COMPACT DOUBLE & MEDIA COMPACT LANDSCAPE ASSEMBLY INSTRUCTIONS

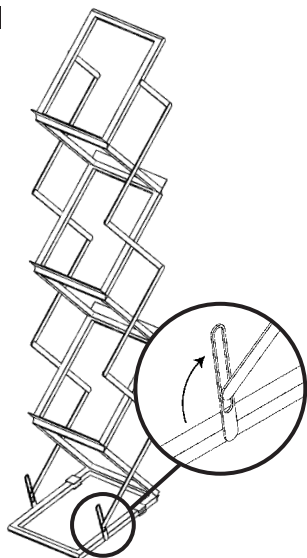
A



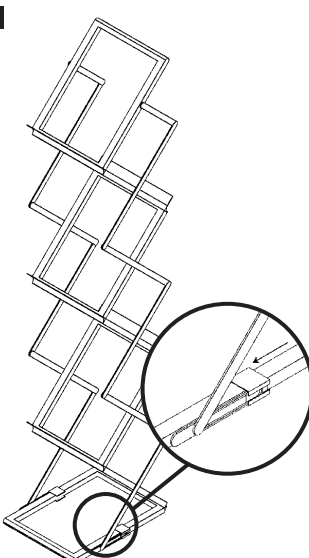
B



C



D



SPECIFICATIONS

ASSEMBLED SIZES

Media 6 Compact
280 (W) x 290 (D) x 1475 (H)mm
Media Compact Double
485 (W) x 350 (D) x 1480 (H)mm
Media Compact Landscape
360 (W) x 270 (D) x 1315 (H)mm

UNASSEMBLED SIZE

Media 6 Compact
360 (W) x 170 (D) x 470 (H)mm
Media Compact Double
470 (W) x 165 (D) x 570 (H)mm
Media Compact Landscape
395 (W) x 185 (D) x 410 (H)mm

POCKET SIZE

Media 6 Compact
250 (W) x 25 (D) x 320 (H)mm
Media Compact Double
320 (W) x 25 (D) x 465 (H)mm
Media Compact Landscape
230 (W) x 25 (D) x 345 (H)mm

BOXED WEIGHTS

Media 6 Compact = 8.70kg
Media Compact Double = 11.7kg
Media Compact Landscape = 8.8kg

COMPONENT LIST

1 x Literature unit
1 x Padded carry bag



COMMUNICATOR ASSEMBLY INSTRUCTIONS

SPECIFICATIONS

COMMUNICATOR 2X4

Boxed Size
1790 (L) x 500 (W) x 80 (D)mm
Assembled Size
1760 (H) x 520 (W) x 450 (D)mm
Boxed Weight
16.14kg

COMMUNICATOR 4X4

Boxed Size
1750 (L) x 960 (W) x 70 (D)mm
900 (L) x 500 (W) x 330 (D)mm
Assembled Size
1760 (H) x 940 (W) x 450 (D)mm
Boxed Weight
25.27kg

COMMUNICATOR 2X4 WALL

Boxed Size
1470 (L) x 540 (W) x 100 (D)mm
Assembled Size
1450 (H) x 520 (W) x 95 (D)mm
Boxed Weight
11.78kg

COMPONENT LIST

COMMUNICATOR 2X4 & 4X4

1 x frame
4 x acrylic shelves
2 x feet
4 x screws

COMMUNICATOR 2X4 WALL

1 x frame
4 x acrylic shelves
8 x screws and wall fixings

